



CLUB SUBWOOFERS

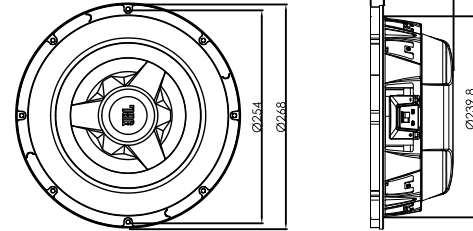
Technical Data – WS1200

THIELE-SMALL PARAMETERS

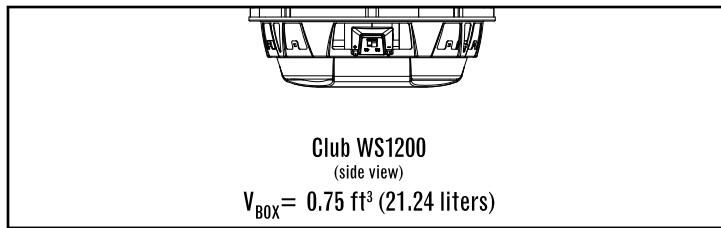
		2Ω	4Ω
VOICE-COIL DC RESISTANCE:	REVC (OHMS)	1.84	4.16
VOICE-COIL INDUCTANCE @ 1kHz:	LEVC (MH)	0.65	0.71
DRIVER RADIATING AREA:	SD (IN ²)	77.92	77.92
	SD (CM ²)	502.73	502.73
MOTOR FORCE FACTOR:	BL (TM)	9.02	12.87
	VAS (FT ³)	3.44	3.45
COMPLIANCE VOLUME:	VAS (LITERS)	97.43	97.56
	CMS (μM/N)	274.00	275.00
SUSPENSION COMPLIANCE:			
MOVING MASS, AIR LOAD:	MMS (GRAMS)	177.46	177.02
FREE-AIR RESONANCE:	FS (Hz)	22.80	22.82
MECHANICAL Q:	QMS	6.24	3.57
ELECTRICAL Q:	QES	0.57	0.64
TOTAL Q:	QTS	0.53	0.54
MAGNETIC-GAP HEIGHT:	HAG (IN)	0.31	0.31
	HAG (MM)	8.00	8.00
VOICE-COIL HEIGHT:	HVC (IN)	0.92	0.92
	HVC (MM)	23.30	23.30
MAXIMUM EXCURSION:	XMAX (IN)	0.30	0.30
	XMAX (MM)	7.65	7.65

SPECIFICATIONS

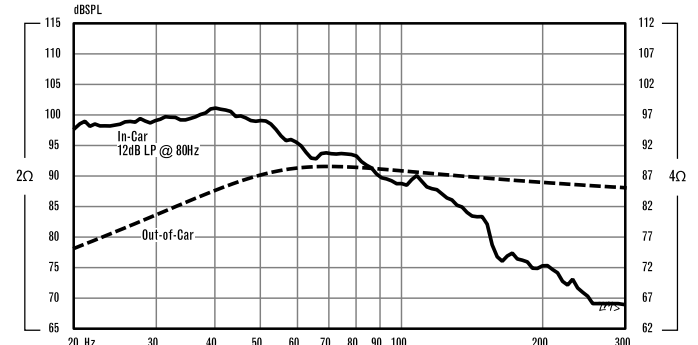
DIAMETER:	12" (305mm)
SENSITIVITY (2.83V @ 1m):	92dB
POWER HANDLING:	250W _{RMS} (1000W _{PEAK})
FREQUENCY RESPONSE:	27Hz ~ 175Hz
NOMINAL IMPEDANCE:	2 OR 4 OHMS
VOICE-COIL DIAMETER:	2" (51mm)
DIMENSIONS:	



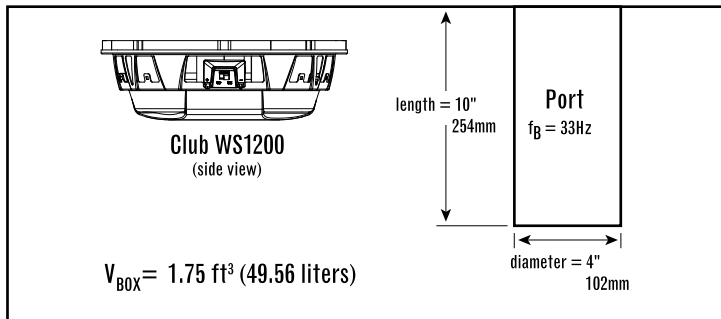
SEALED-BOX VOLUME (INCLUDES DRIVER DISPLACEMENT)



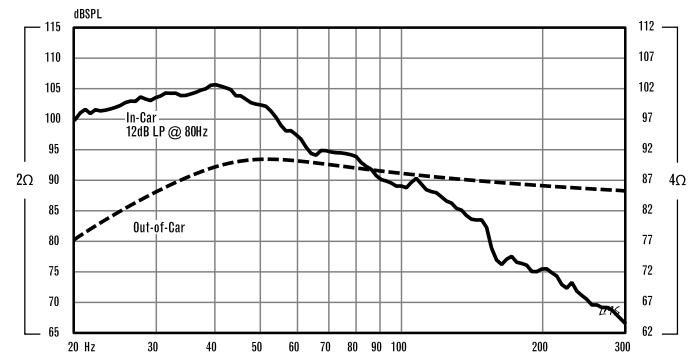
SEALED ENCLOSURE (FREQUENCY RESPONSE @ 2.83V)



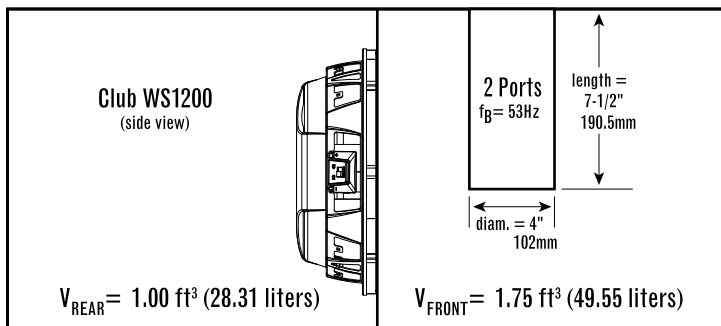
VENTED-BOX VOLUME (INCLUDES DRIVER/PORT DISPLACEMENTS)



VENTED ENCLOSURE (FREQUENCY RESPONSE @ 2.83V)



BAND-PASS-BOX VOLUME (INCLUDES DRIVER/PORT DISPLACEMENTS)



BAND-PASS ENCLOSURE (FREQUENCY RESPONSE @ 2.83V)

